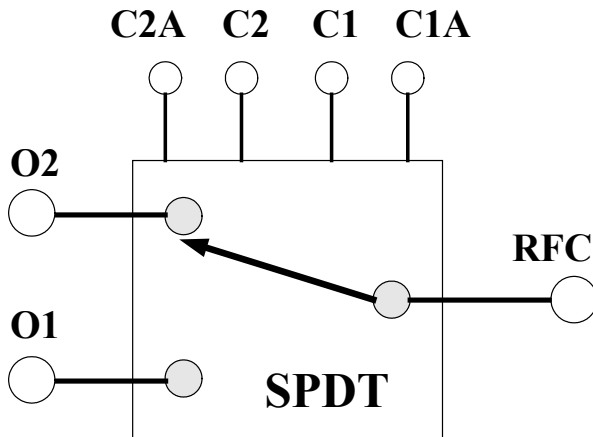


## Features

- PHEMT SPDT RF switch.
- >25dB isolation up to 3GHz.
- >27dB isolation up to 2.5GHz.
- <0.4dB insertion loss up to 3GHz.
- 0.454×0.454mm<sup>2</sup> chip size.
- Optional truth table available for control function.



C1	C2	O1-RFC	O2-RFC
H	L	ON	OFF
L	H	OFF	ON

Option1

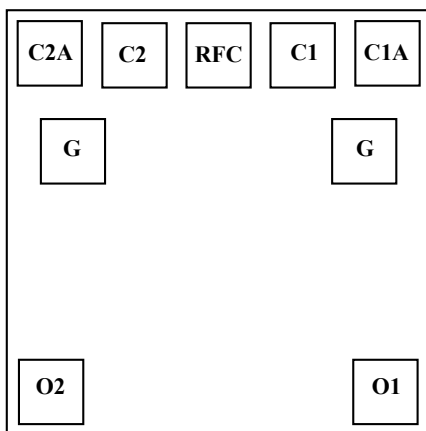
C1A	C2A	O1-RFC	O2-RFC
H	L	OFF	ON
L	H	ON	OFF

Option2

## Absolute Maximum Ratings

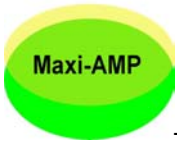
Control Voltage.....	6V
RF Input Power.....	33dBm
Operating Ambient Temperature.....	-40 °C to 85 °C
Storage Temperature .....	-60 °C to 150 °C
Maximum Junction Temperature (Tj max) °C .....	150 °C

## Pad Assignment

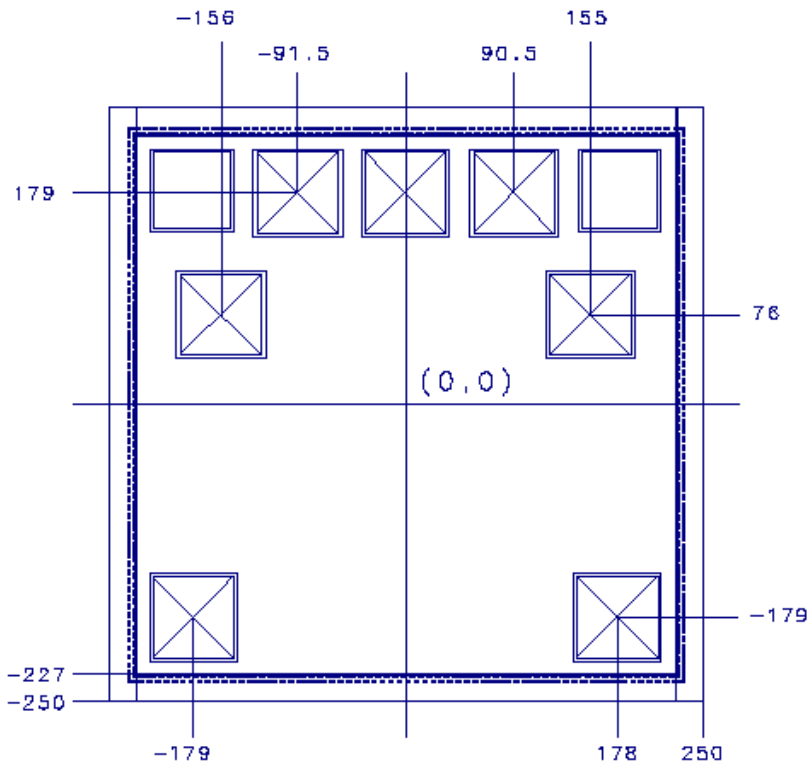


Top View

No.	Name	Function
1	C2A, C2, C1, C1A	Digital control voltage input of switch.
2	G	Connection pad to ground through bond wire or inductor.
3	RFC	RF I/O of switch.
4	O1	RF I/O of switch.
5	O2	RF I/O of switch.



## Dimensions of Chip



- Chip size is  $454 \times 454 \mu\text{m}^2$ .
- Chip thickness is  $150 \mu\text{m}$ .
- Bond pad size is  $64 \times 64 \mu\text{m}^2$ .

## Circuit Model

