

# MAW01V1

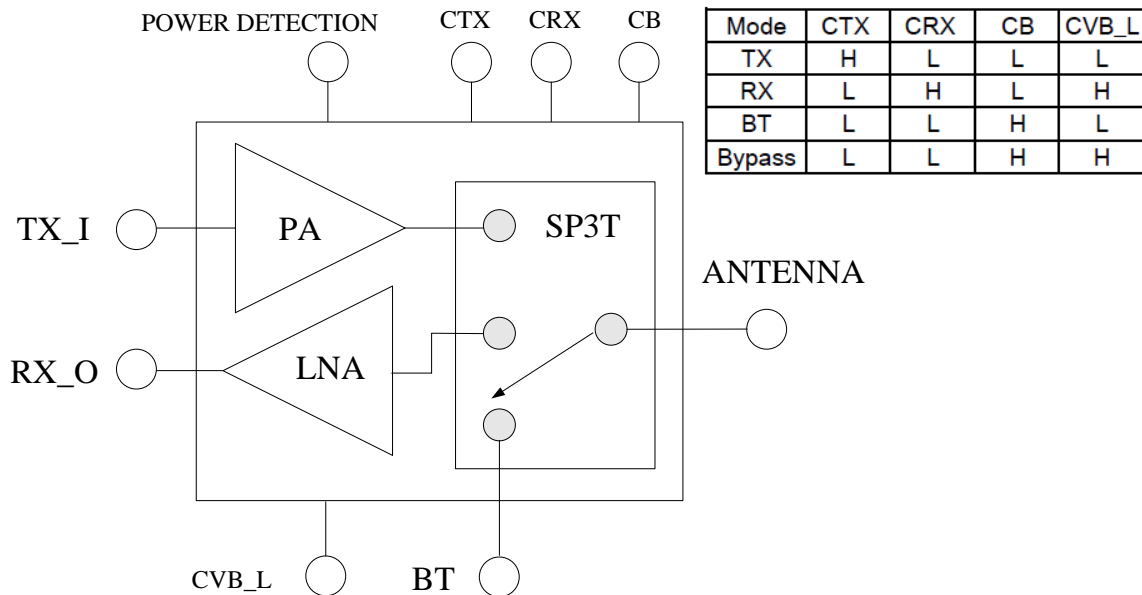
## 2.4 to 2.5 GHz RF Front End IC

### Features

- Integrated PA, LNA, and SP3T RF switch
- 16 pins 2.5×2.5mm<sup>2</sup>-QFN package
- 2.3% EVM, 123mA at 18dBm RF output power (64QAM/54Mbps, OFDM).
- 0.4mm package height
- Innovative bypass mode
- Control signal voltage level from 2.8V to 3.3V
- Adjustable RF power detection output range
- GaAs HBT and PHEMT
- RoHS compliant and Pb free

### Applications

- WiFi.
- ZigBee
- 2.4 GHz ISM band application
- Wireless phone



### Absolute Maximum Ratings

DC Supply Voltage .....	6V
Total DC Supply Current .....	300 mA
RF Input Power .....	8 dBm
Operating Ambient Temperature.....	-20 °C to 85 °C
Storage Temperature .....	-55 °C to 150 °C

**\*\* No liability is assumed by Maxi-AMP Incorporation for use any information contained in this document, or for infringement of any patent rights of a third party, which may result from such use.**

Maxi-AMP INC (民瑞科技股份有限公司) Innovation Incubation Center, Rm.3A19, No.1, Sec. 1, Syuecheng Rd.,  
Dashu Township, Kaohsiung County, 840, Taiwan, R.O.C. [www.maxiamp.com](http://www.maxiamp.com)

Maxi-AMP incorporation reserves the right of changing the specifications without any prior notice.

This device is ESD sensitive.

TEL : 0983001600, 0922305109, 0932698745, (07)657-9562

FAX : (07)657-9714, Taiwan, R.O.C.

Rev2, Preliminary data sheet, Jan/2013

Page1/1